

RESISTRON RES- 420, RES- 440, RES- 445 PRECISION HEATSEAL CONTROLLERS

RES-420, RES-440 and RES- 445 are panel mounted high response Heatseal Temperature Controllers that deliver precise, repeatable sealing time and temperature every cycle in either impulse or constant heat mode. Advantages include; Remote Start for Heat and Pre-heat by 24VDC signal. Analog Temperature feedback (0-10VDC) that can be used for control, display or Datalogger recording. Key pad controls with digital display include Auto-Calibration and Error Diagnosis. An optional Booster Output feature permits use with extra high power applications. The RES- 440 offers programmable seal jaw control set to either time or pre-set cooling temperature. The RES- 445 is best for PLC interface.



Perfect for validation, seal time and actual temperature profile. Our optional Datalogger can be used to sample or continuously record heat seal temperature profile data.

RESISTRON Controllers achieve perfect high response control by utilizing the unique qualities of the Alloy-20 Heatseal Band to provide instantaneous temperature feedback to the controller. Power is adjusted 60 times per second to assure that the actual temperature is always equal to the pre-selected set point.

Additional RES-400 Series Controllers are available for total machine control and in-cabinet mounting. Call **T•O•S•S** for more information.

FEATURES

- Panel Mounted with LCD or VFD Display
- Remote Heat and Pre-heat start
- Analog Real Time Temperature Feedback
- Keypad Controls
- Easy FDA validation
- Error Diagnosis and "ALARM"
- Auto "band break" detection
- Control multiple bands
- Conforms to CE and EMC standards
- Automatic "ZERO" Calibration
- PLC interface capability
- Optional Booster for high load applications

APPLICATIONS

- Form/Fill/Seal Machines
- Manual and Semi Auto Sealers
- Web Joining
- Fitment Attachment
- Cut and Seal Applications
- Custom Sealing Platens

FREE ASSISTANCE AND SUPPORT

T•O•S•S offers assistance in applications, circuit design, and Heatseal band selection. Free seal testing of your materials with samples sent for your evaluation.

RESISTRON HEATSEAL CONTROLLERS

T*O*S*S offers a complete line of Time/Temperature Controllers that are used primarily for the heat sealing of plastic films, or the attachment of films to frames or fitments. The RES-400 Series includes controllers that are panel mounted as well as cabinet mounted for protection from physical damage or wash-down. Advanced models including the RES-407, RES-406, and RES-409 are designed for PLC interface, including PROFI-BUS and CAN-BUS. Please contact T*O*S*S Applications Engineering at (610-759-8883) for assistance with selection of the best controller for your application.

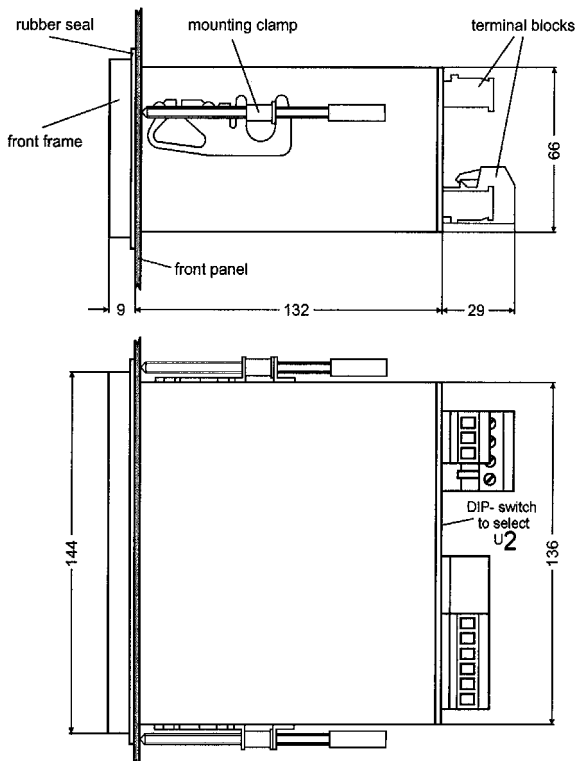
COMPARATIVE FEATURES -

	420	440	445
Panel Mounted	Yes	Yes	Yes
AutoCal -Automatic Calibration	Yes	Yes	Yes
Heatseal & Jaw Action Timers		Yes	Yes
Auto Diagnostics	Yes	Yes	Yes
ATR Temperature Meter - Option		Yes	Yes
24 VDC - Remote Start	Yes	Yes	Yes
Remote Analog Temperature Set			Yes
External Fault Alarm Signal Relay	Yes	Yes	Yes
Isolated Temp. Output, 0-10 VDC			Yes
Hi-Lo Temperature Detection		Yes	Yes
Limited Operator Program Access			Yes
Pre Heat Capability		Yes	

SPECIFICATIONS -

Voltage, Standard , Optional	230 VAC 115 or 400VAC
Line Current, Max.	20 Ampere
Temperature Ranges	0 - 300°C. 0 - 500°C.
Size, mm	144 x 170 x 66h.
Weight	2.70 lbs.
Mounting	Front Panel DIN Rail (option)
Heatseal Bands - Various, Alloy 20	

INSTALLATION DIMENSIONS MODEL RES-420 thru RES-445



For more information, contact:
Toss Machine Components, Inc.
539 South Main Street, Nazareth, PA 18064
Phone 610-759-8883 - Fax 610-759-1766
E-Mail info@tossheatseal.com

Visit our website
[www. Tossheatseal.com](http://www.Tossheatseal.com)