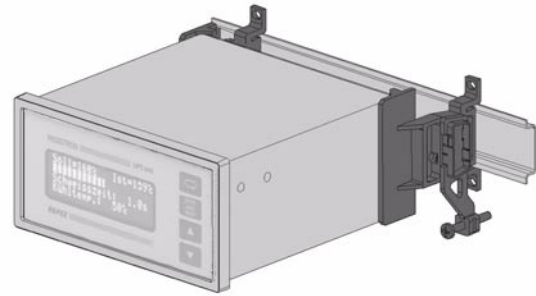


## HS-ADAPTER-01<sup>GB</sup>

### Operating Instructions



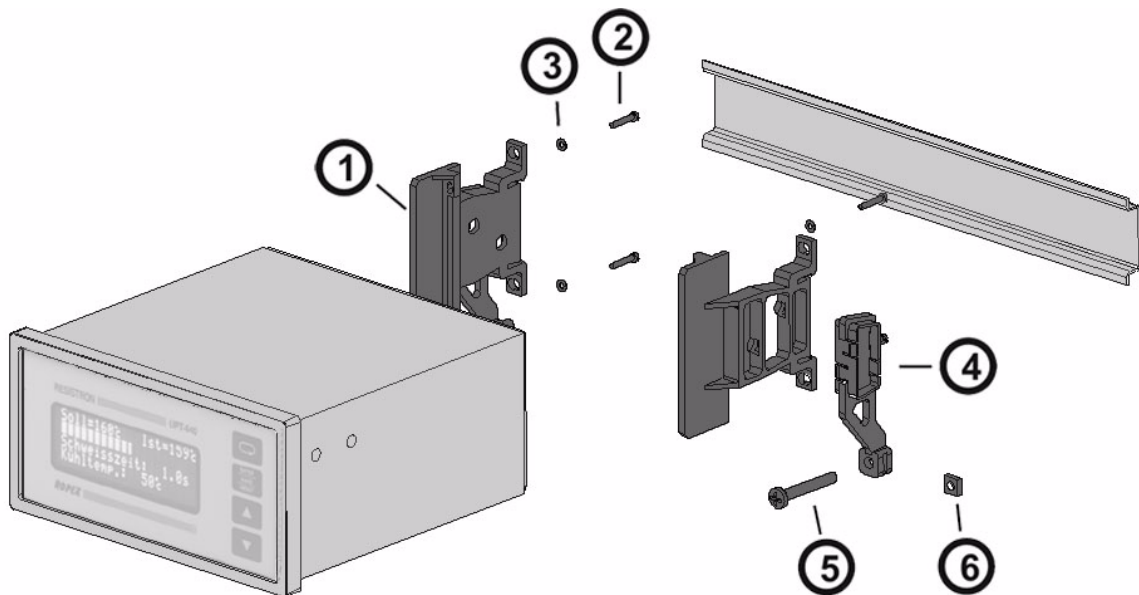
The HS-ADAPTER-01 is used to mount RESISTRON or CIRUS panel mounted controllers (housing dimensions W x H: 144mm x 72mm) onto a vertical panel. This is very convenient when mounting the controller

within a control panel. The adapter kit is designed to be used in attaching the controller to a top hat rail (DIN-rail TS35) or directly to a panel or wall. It must first be attached to the controller as described below.

### Parts list

The kit consists of::

Pos.	Part	Qty.
1	Bracket	2
2	Screw M2,0 x 12	4
3	Washer M2,0	4
4	Support	2
5	Mounting screw	2
6	Mounting screw nut	2



Exclusive Sales and Service :  
[www.tossheatseal.com](http://www.tossheatseal.com)

## Mounting on top hat rail (DIN-rail TS35)

**⚠ Installation and operation may only be carried out by trained personnel, provided that they know the risks and the warranty terms.**

1. Turn off power supply and remove all push-on connectors from the back of the controller.
2. Attach mounting screw (5) and nut (6) to support (4).
3. Snap the support (4+5+6) into the bracket (1).
4. Remove two back panel screws from one side of the controller taking care that the back panel remains in place (Keep the back panel screws).

**⚠ The attachment of the bracket requires that the back panel screws must be removed without removing the back panel. Removal of the back panel will void any warranty.**

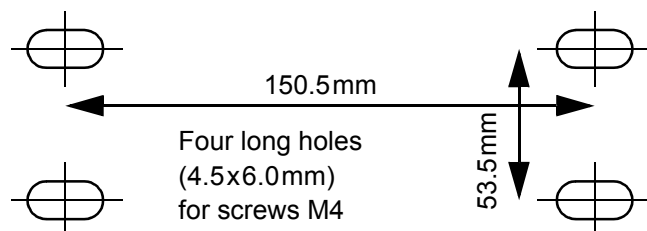
5. Attach the bracket/support assembly to this side of the controller using screws (2) and washers (3).
6. Repeat this process on the opposite side of the controller.
7. Re-attach the push-on connectors to the back of the controller.
8. Mount the controller onto the top hat rail (DIN-rail TS35) and fasten with the mounting screws (5) to assure that the controller cannot move.

**⚠ Take care that there is no interference with the push-on connectors before tightening the mounting screws to avoid damaging of the cables.**


9. Check complete performance of controller.

## Wall mounting

The mounting holes on the end of the adapter can be used for attaching the controller directly to a wall or panel. Follow the installation requirements described in chapter „Mounting on top hat rail“.



## How to order

	<p><b>HS-ADAPTER-01</b> Adapter for top hat rail (DIN-rail TS35) Art.no. 887001</p>
---	---