

PEX-W3

®

Operating Instructions

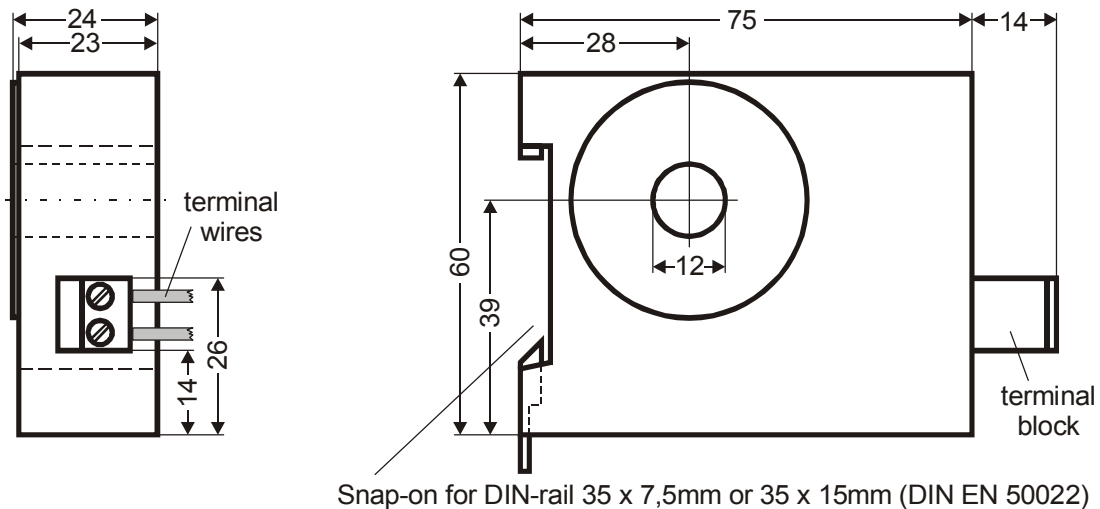


The current transformer supplied with the RESISTRON and CIRUS temperature controllers is an integral part of the control system.

The current transformer may only be operated if it is connected to the temperature controller correctly (see section "Startup and operation" and „Power supply“ of the corresponding documentation of the temperature controller).

! Only the original ROPEX PEX-W3 current transformer may be used. Other transformers may cause the equipment to malfunction.

Dimensions



Exclusive Sales and Service :
www.tossheatseal.com

Technical data

| | |
|---|--|
| Type of construction | Housing for installation in the electrical cabinet Snaps onto a standard top hat rail (DIN TS35 rail, 35 mm) acc. to DIN EN 50022 Dimensions: 60 x 24mm; height: 89mm (incl. terminals) |
| Power dissipation | max. 2.0W |
| Ambient temperature | +5...+45 °C |
| Degree of protection | IP20 |
| Installation | If several controllers are installed on one top hat rail (DIN TS35 rail), a clearance of at least 20mm should be allowed between them. The moving clip required for fastening must be facing down for mounting on a horizontal top hat rail. End holders to mechanical fix the controller must be fitted at both ends for mounting on a vertical top hat rail. |
| Weight | Approx. 0.15kg (incl. connector plug-in parts) |
| Housing material | Plastic, polycarbonate, UL-90-V0 |
| Connecting cables Type / cross-sections | Rigid or flexible; 0.2...1.5mm ² (AWG 24...16) Plug-in connector ⚠ If ferrules are used, they must be crimped in accordance with DIN 46228 and IEC/EN 60947-1. This is essential for proper electrical contact in the terminals. |

How to order

| | |
|--|---|
| | Current transformer PEX-W3 Art. No. 885105 |
|--|---|