

RESISTRON RES- 408 PRECISION HEATSEAL CONTROLLER

RES-408 is a high response heatseal temperature controller that will deliver precisely repeatable sealing temperature every cycle in either impulse or constant heat mode. Cabinet mounted, with a panel mounted keypad, menu driven LED display and DIN rail mounting clamp. Valuable features include; Remote Start for Heat and Pre-heat with 24VDC signal. Analog Temperature feedback (0-10VDC) provides control, display or Datalogger record. Error Diagnosis makes trouble shooting a snap and the optional Booster Output feature permits extra high power applications.

Perfect for validation because seal time and temperature can be sampled or continuously recorded on the optional companion Datalogger.

RESISTRON Controllers achieve perfect high response control by utilizing the unique qualities of the Alloy-20 Heatseal Band to provide instantaneous temperature feedback to the controller. Power is adjusted 60 times per second to assure that the actual temperature is always equal to the pre-selected set point.

Additional RES-400 Series Controllers are available for in-cabinet as well as panel mounted applications. See the reverse side for more information.



FEATURES

- Panel Mounted Control Module
- Remote Heat and Pre-heat start
- Automatic "ZERO" Calibration
- Error Diagnosis and "ALARM"
- Auto "band break" detection
- Conforms to CE and EMC standards
- Booster Output for extra high load applications, optional
- Control multiple bands
- Easy FDA validation

APPLICATIONS

- Form/ Fill/ Seal Machines
- Manual or Semi Auto Sealers
- Web Joining
- Fitment Attachment
- Cut and Seal applications
- Custom Sealing Platens

FREE SERVICES AND SUPPORT

T.O.S.S. offers assistance in applications, circuit design, and Heatseal Band selection as well as free seal testing of your materials with samples sent to you.

For More Information Contact T.O.S.S.

Phone 610-759-8883 Fax 610-759-1766 E-Mail info@tossheatseal.com
539 South Main Street Nazareth, PA 18064
www.tossheatseal.com

RESISTRON HEATSEAL CONTROLLERS

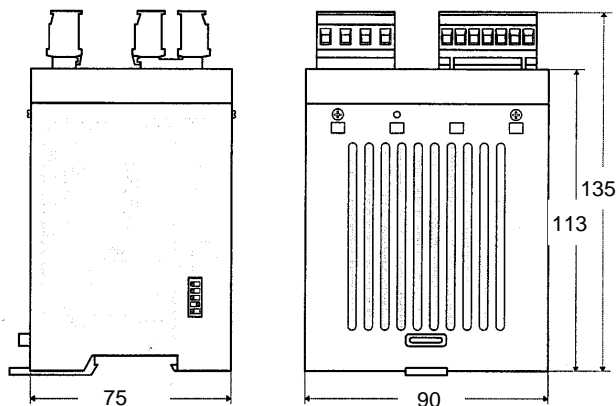
T•O•S•S offers a complete line of Time / Temperature Controllers that are used primarily for the heatsealing of plastic films, or the attachment of fills to frames or fitments. The RES-400 Series includes controllers that are panel mounted as well as cabinet mounted. Advanced panel mounted models RES-440, RES-460, and RES-470 that provide relays to control heat seal jaw action in addition to other machine functions. Please contact Application Engineering at T•O•S•S (610-759-8883) for assistance with selection of the best controller for your application.

RES-408 FEATURES

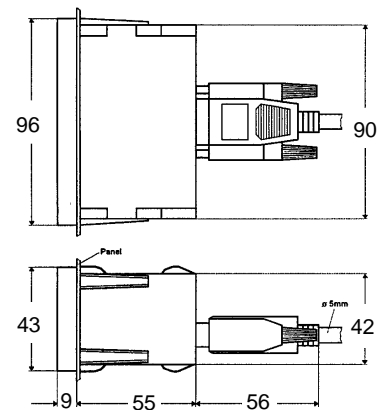
	408	407
Panel Mounted Control Module	YES	
PLC Interface and control		YES
Pre-heat Control Capability	YES	
Auto "Zero" Calibration	YES	YES
Diagnostics Capability	YES	YES
ATR Temp. Meter Option	YES	YES
Analog Temp. 0-10V	YES	YES
External Fault Alarm	YES	YES
Remote Temp. Selection	YES	YES
Booster Control Option	YES	YES

SPECIFICATIONS

Line Voltage- Optional	230VAC Std. 115 & 400 VAC
Line Current-	20 Amp. Max
Aux. Power-	24 VDC
Temp.Range-	0 - 300°C. Std.
Size, mm-	90 x 75 x 135 h.
Weight-	1.54 lbs.
Mounting-	DIN Rail - 35mm
Heatseal Bands-	Alloy 20



RES - 408 CONTROLLER



KEY PAD TERMINAL

For More Information Contact T•O•S•S

Phone 610-759-8883 Fax 610-759-1766 E-Mail info@tossheatseal.com

539 South Main Street Nazareth, PA 18064

www.tossheatseal.com